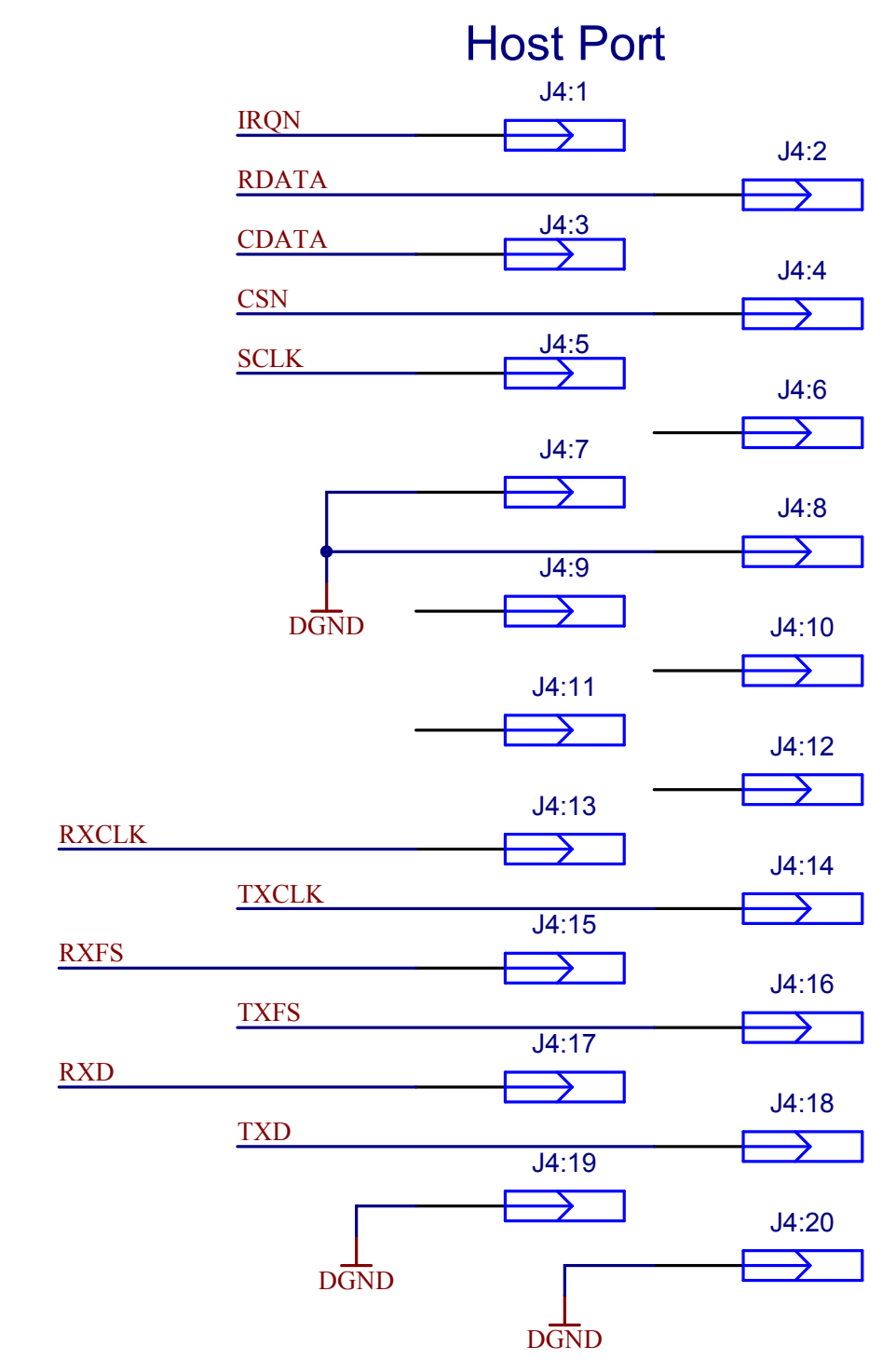
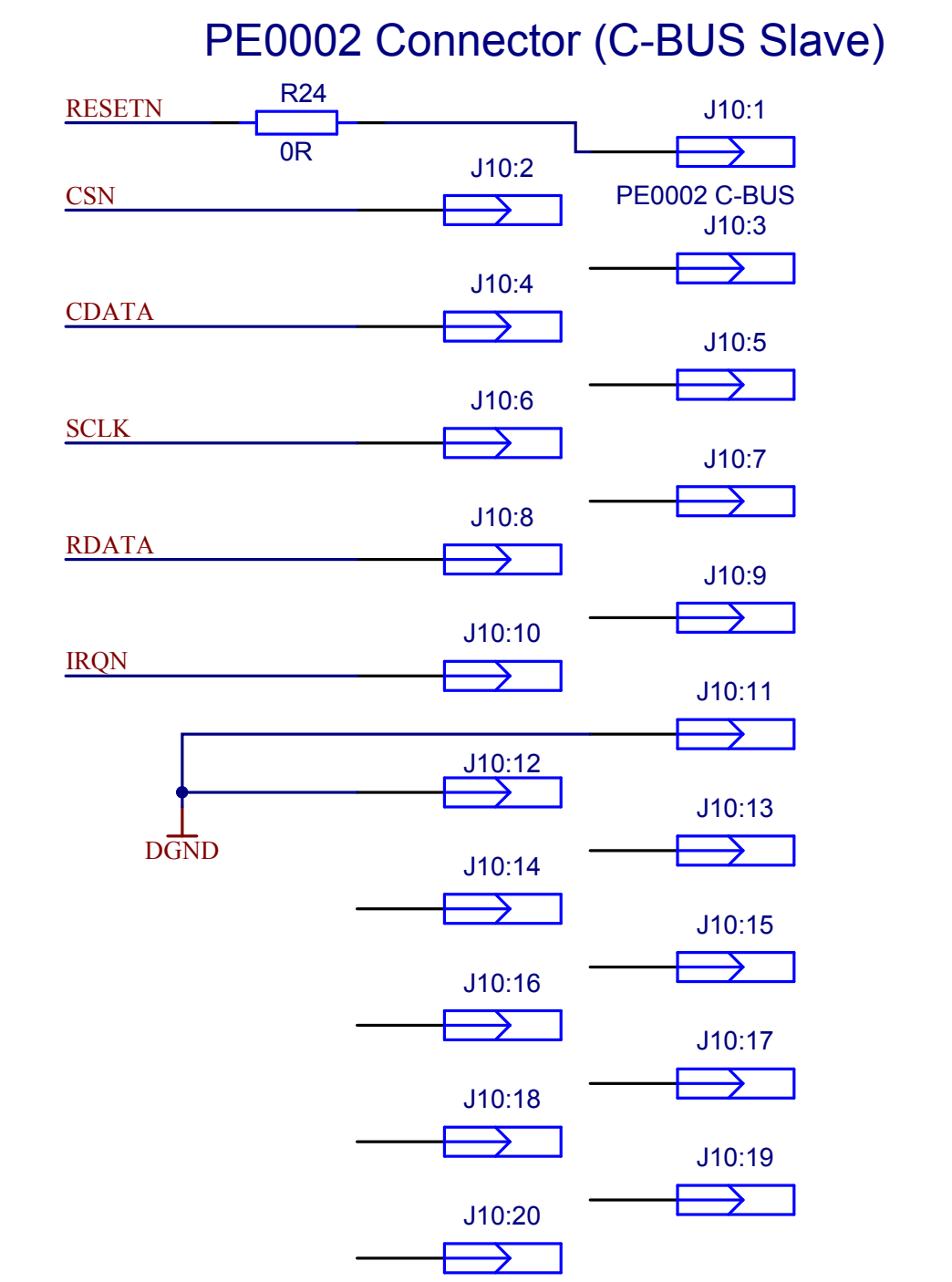
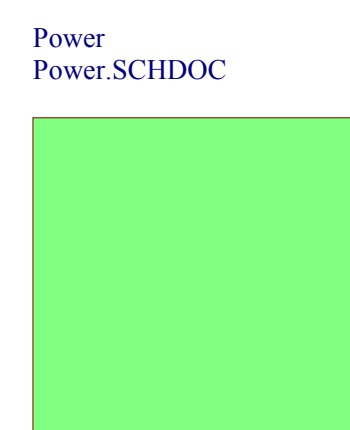
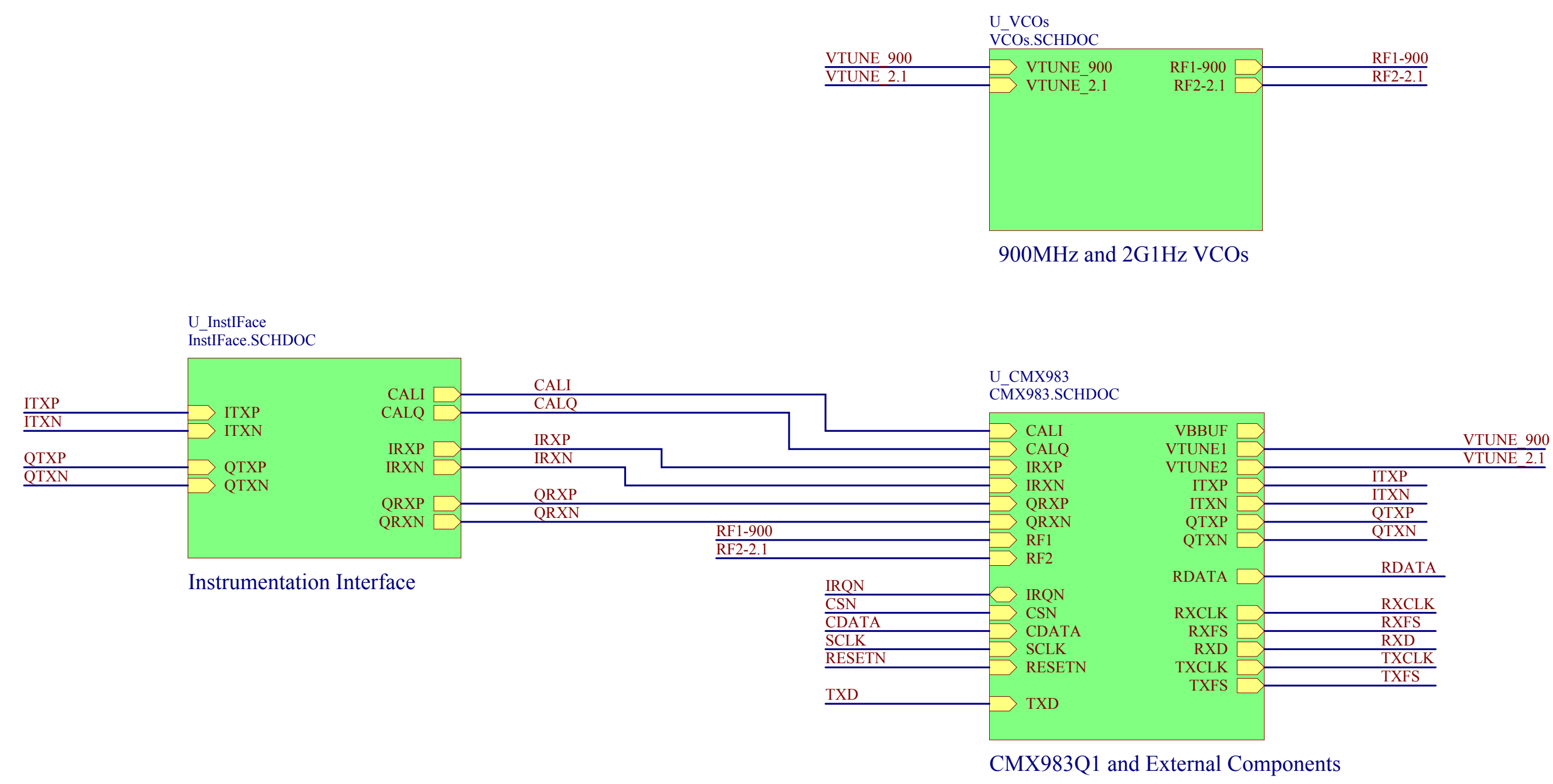
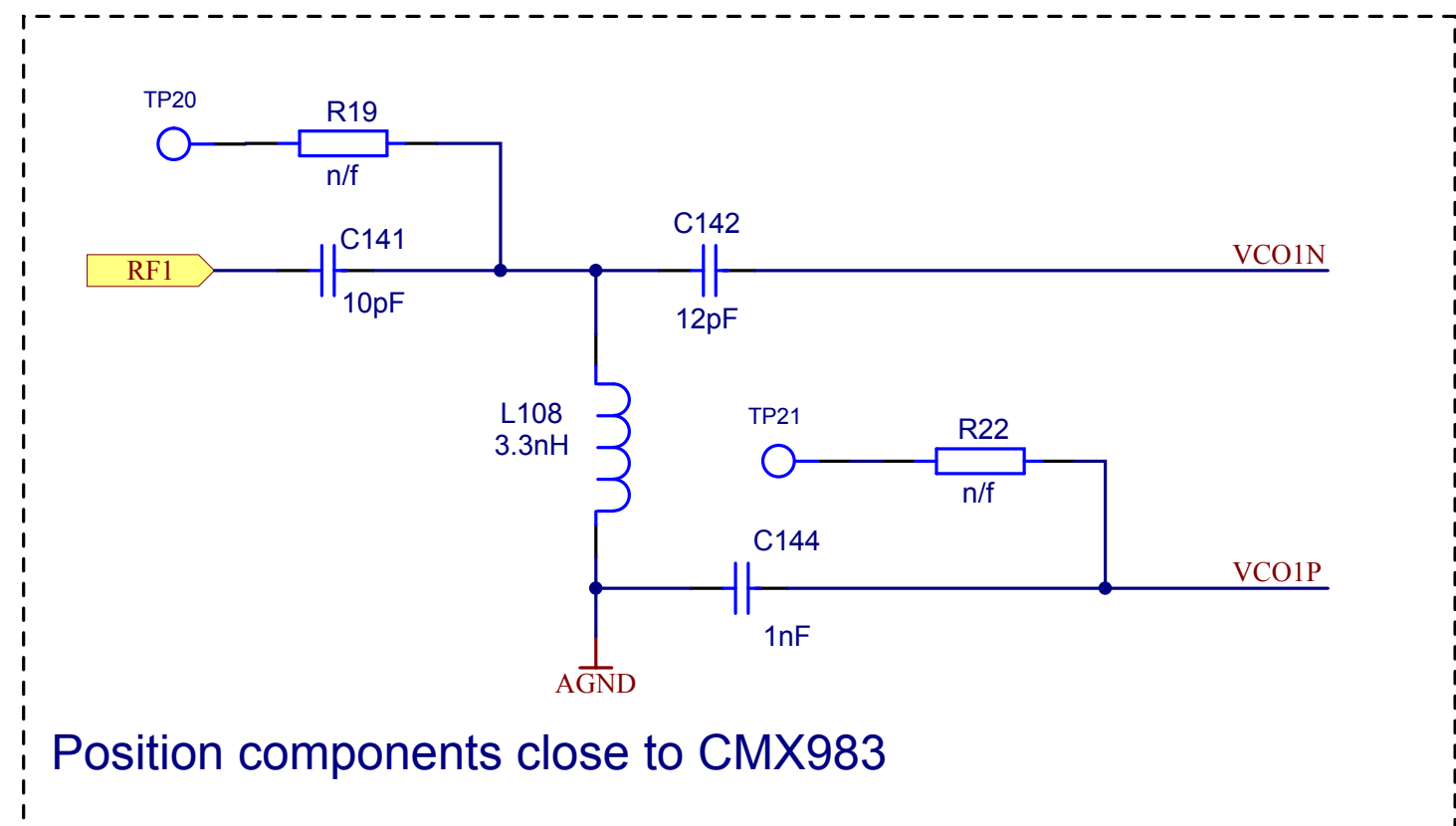


**CML Microcircuits**

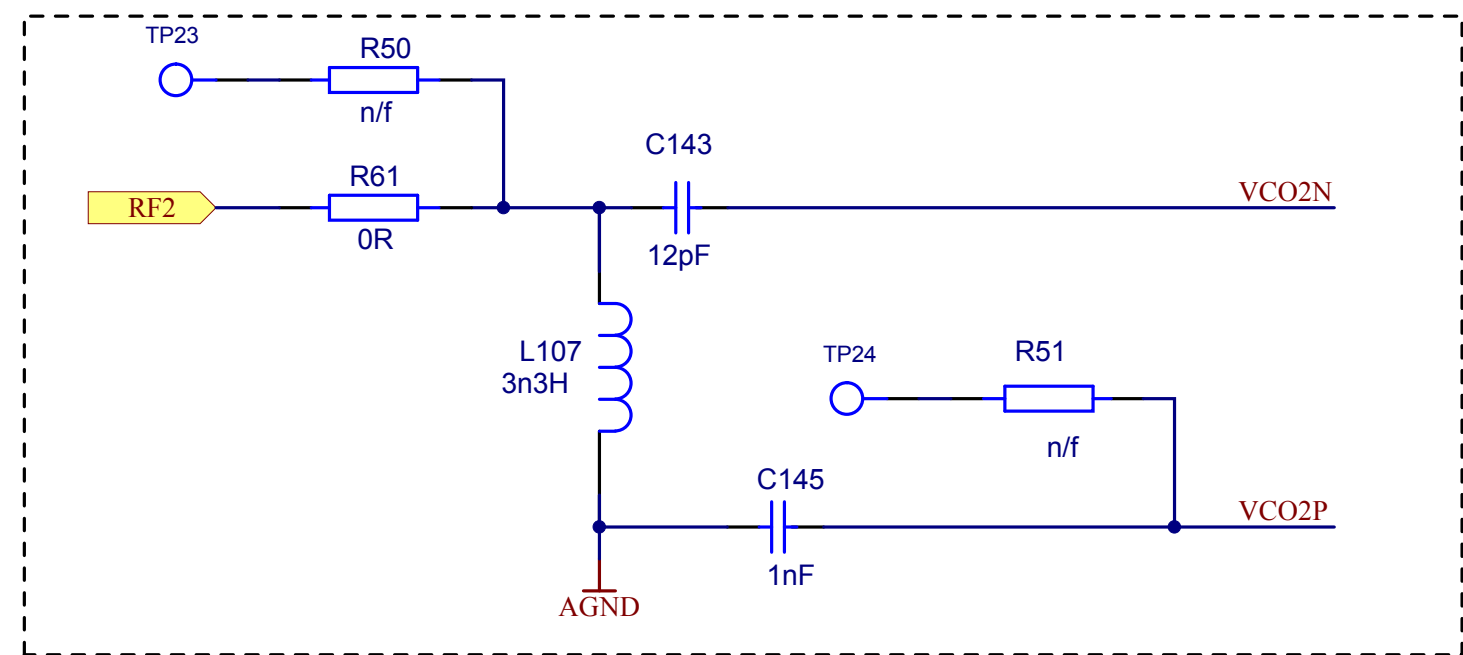
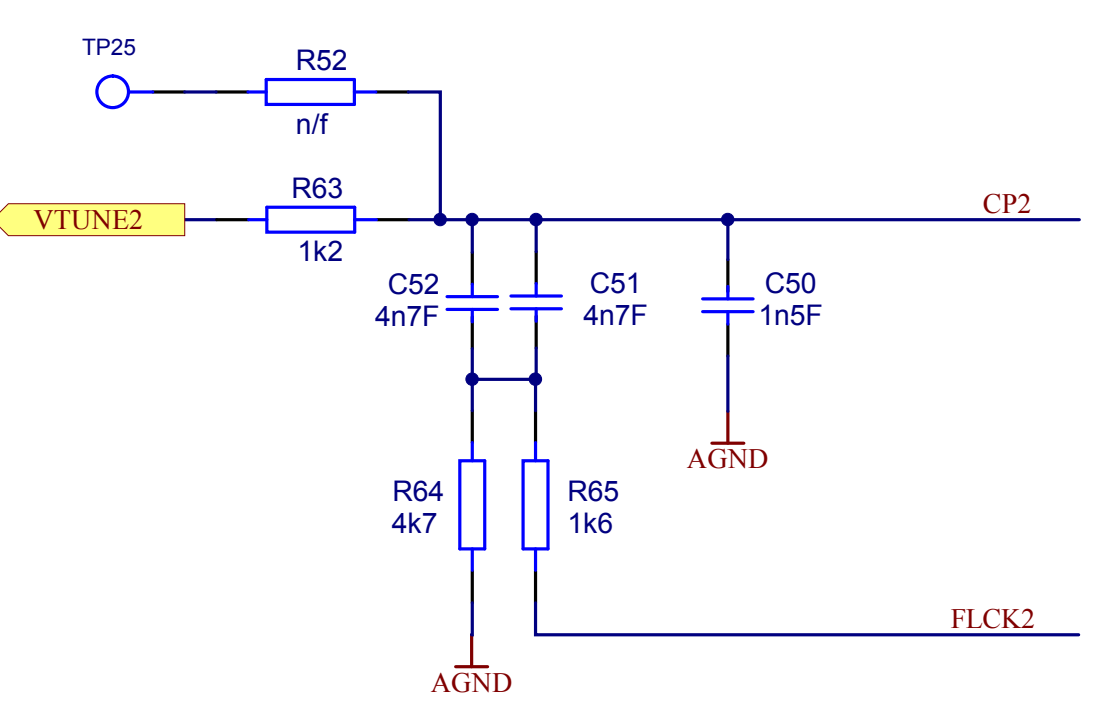
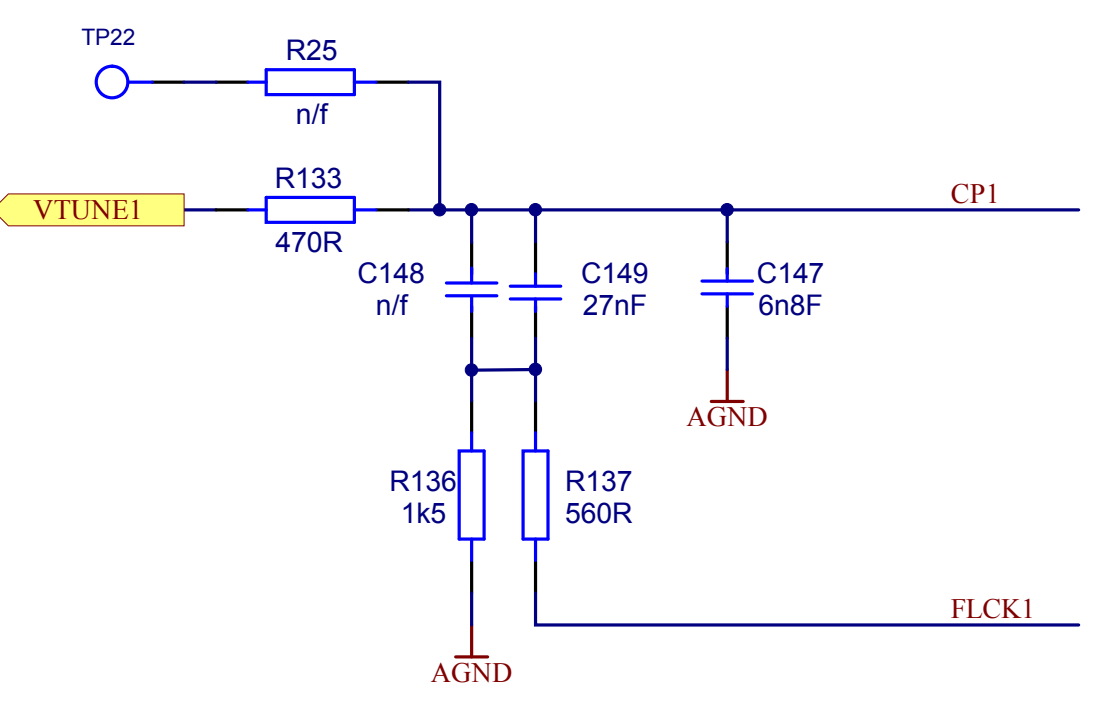
COMMUNICATION SEMICONDUCTORS

# High Resolution Circuit Diagrams for EV9830 November 2014

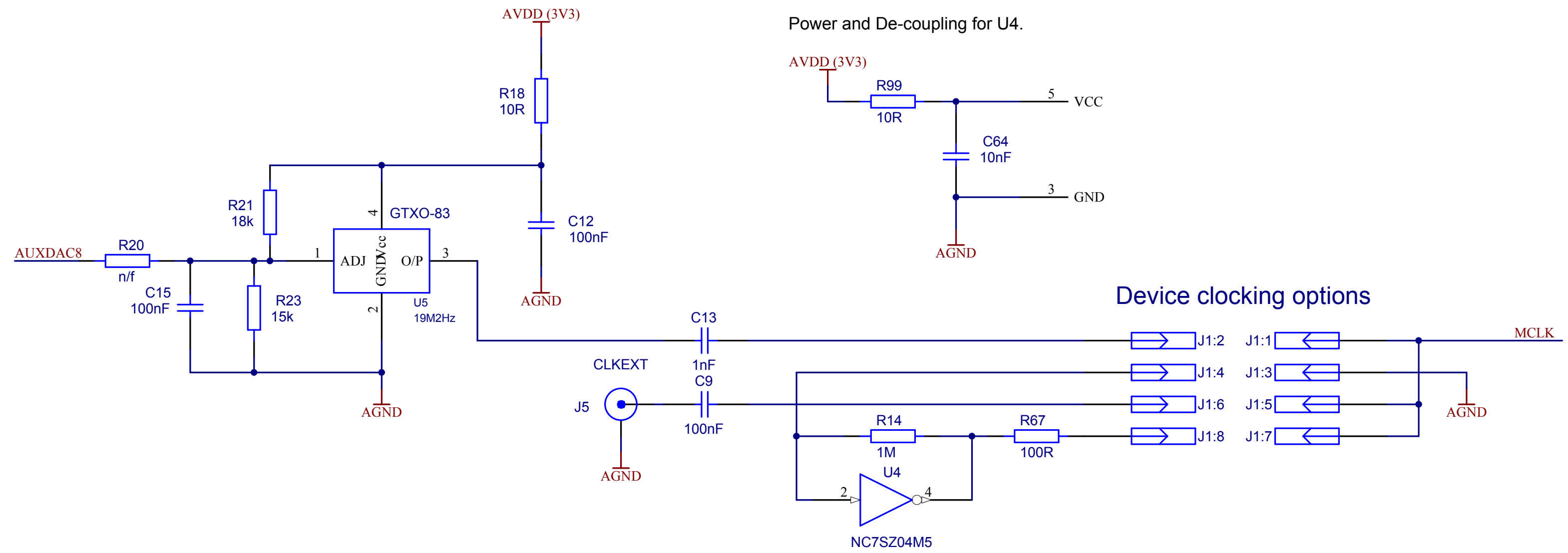
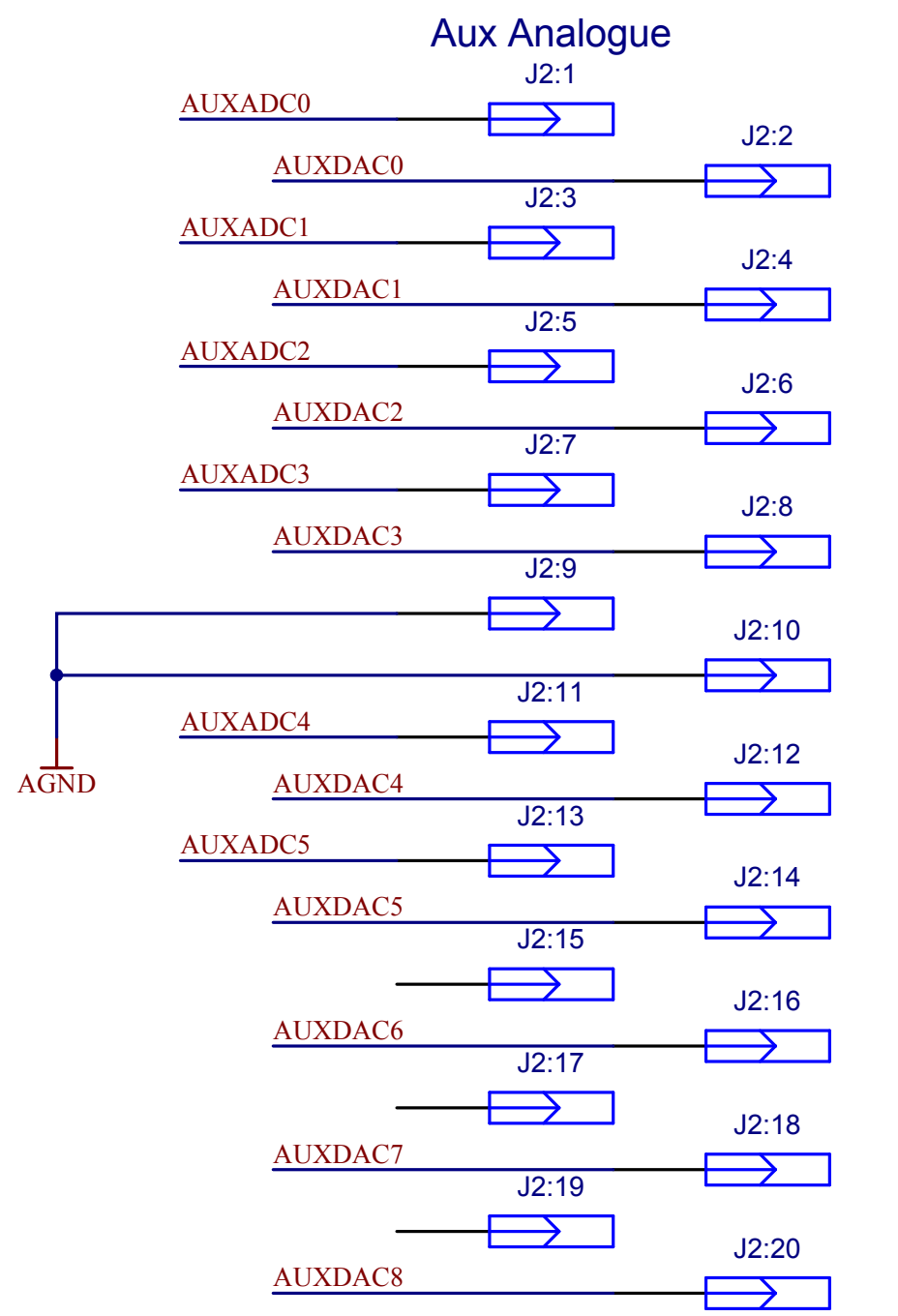
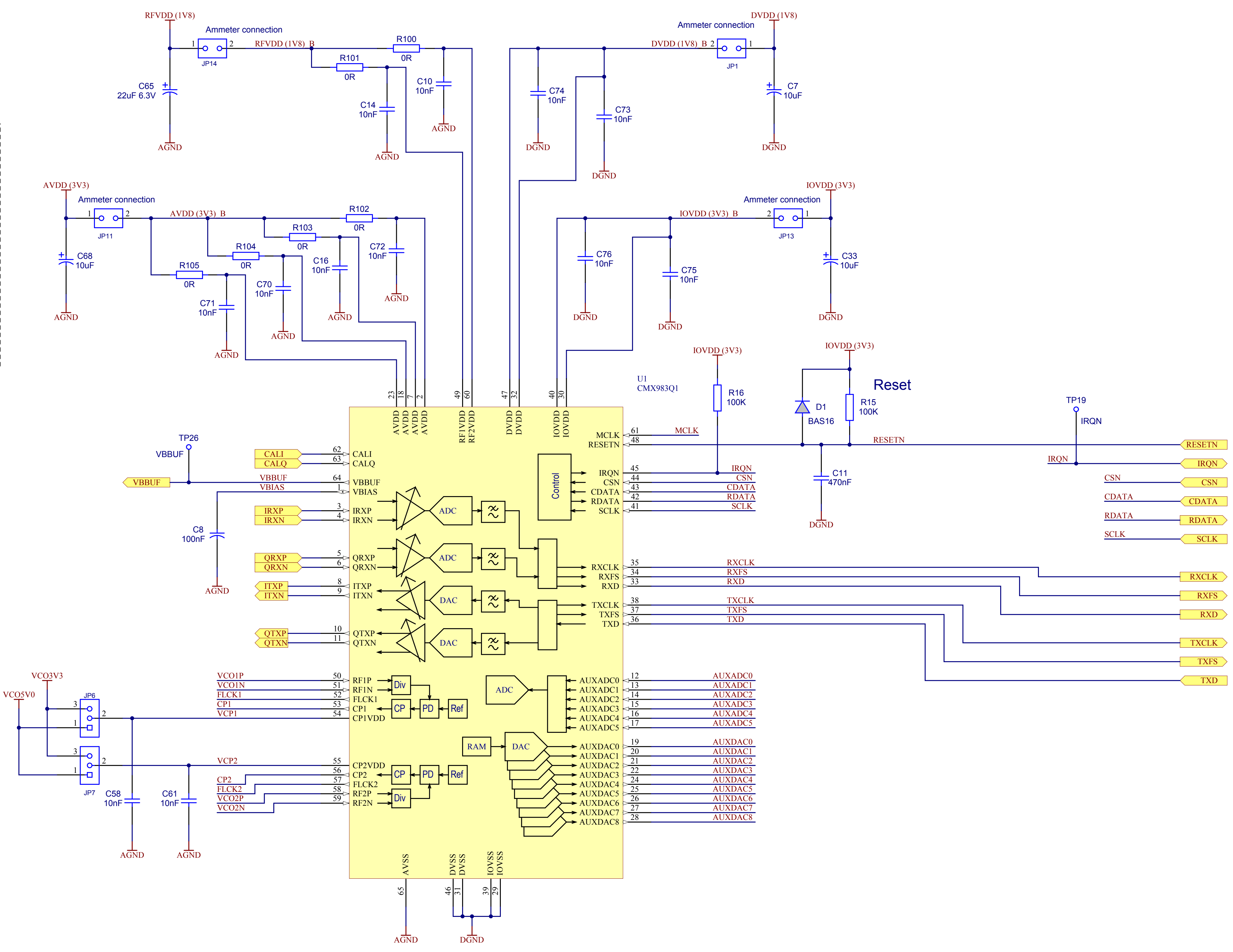




Position components close to CMX983

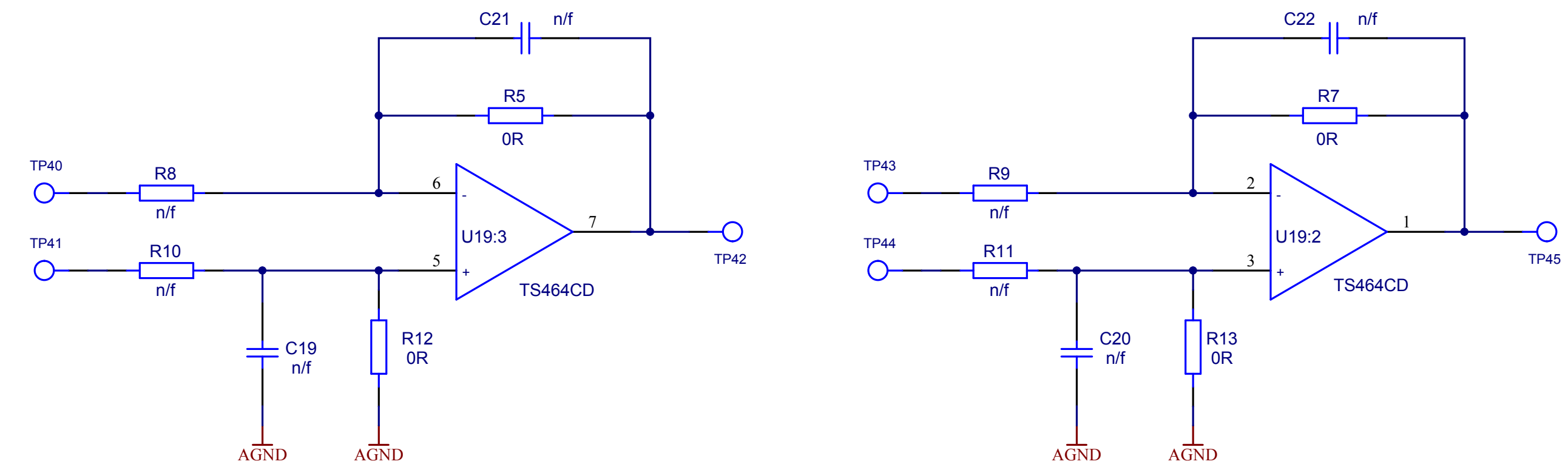
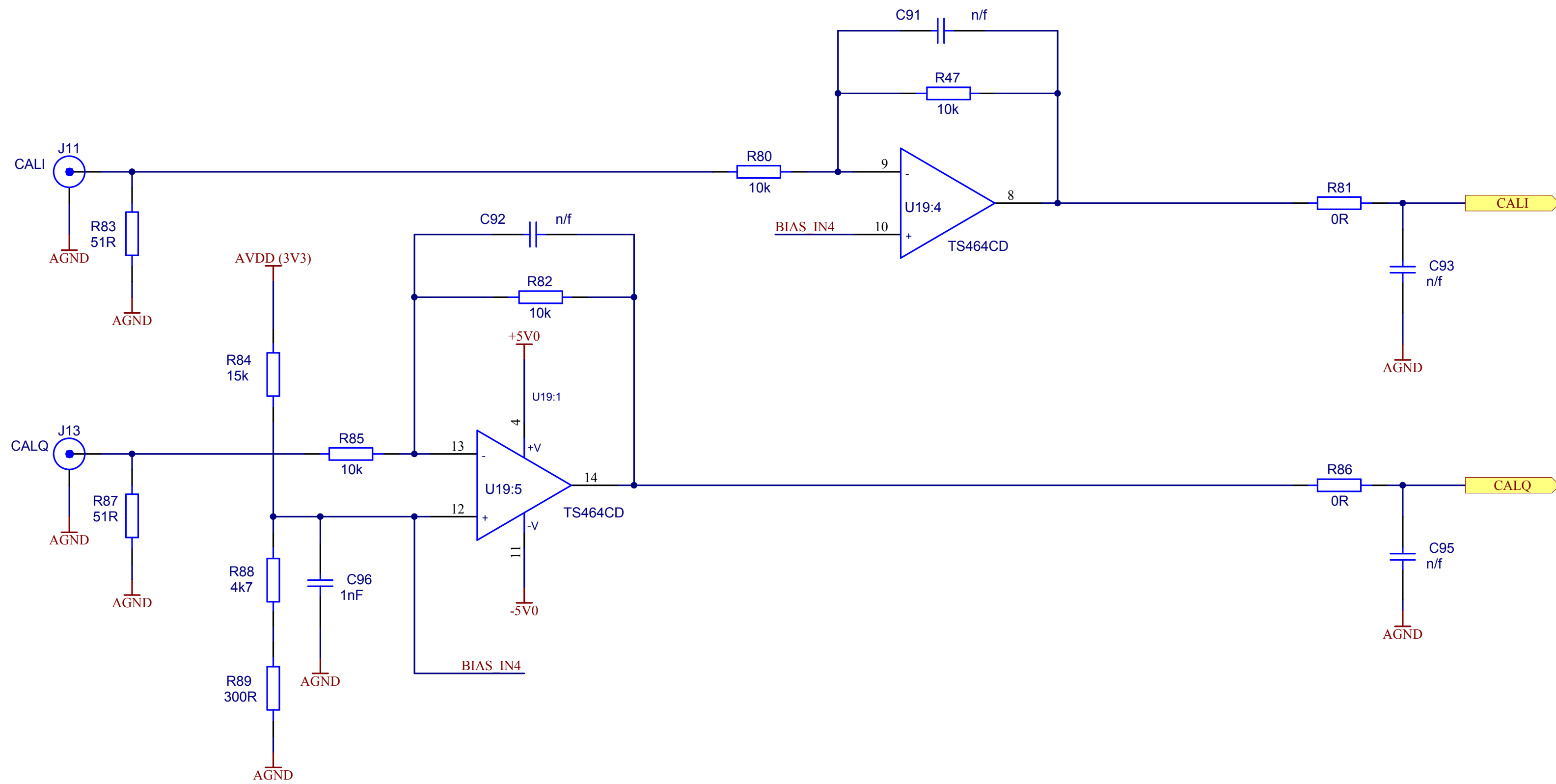
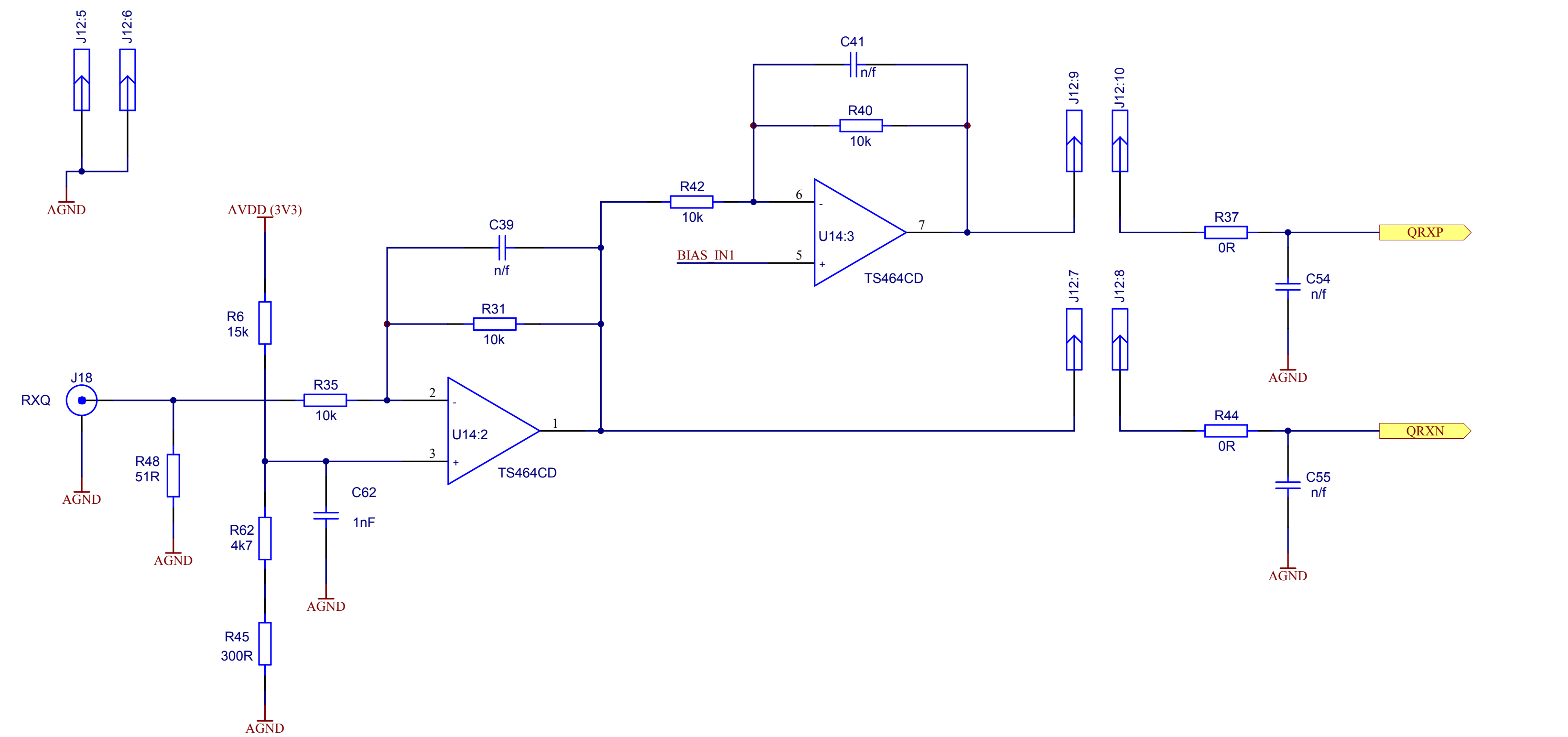
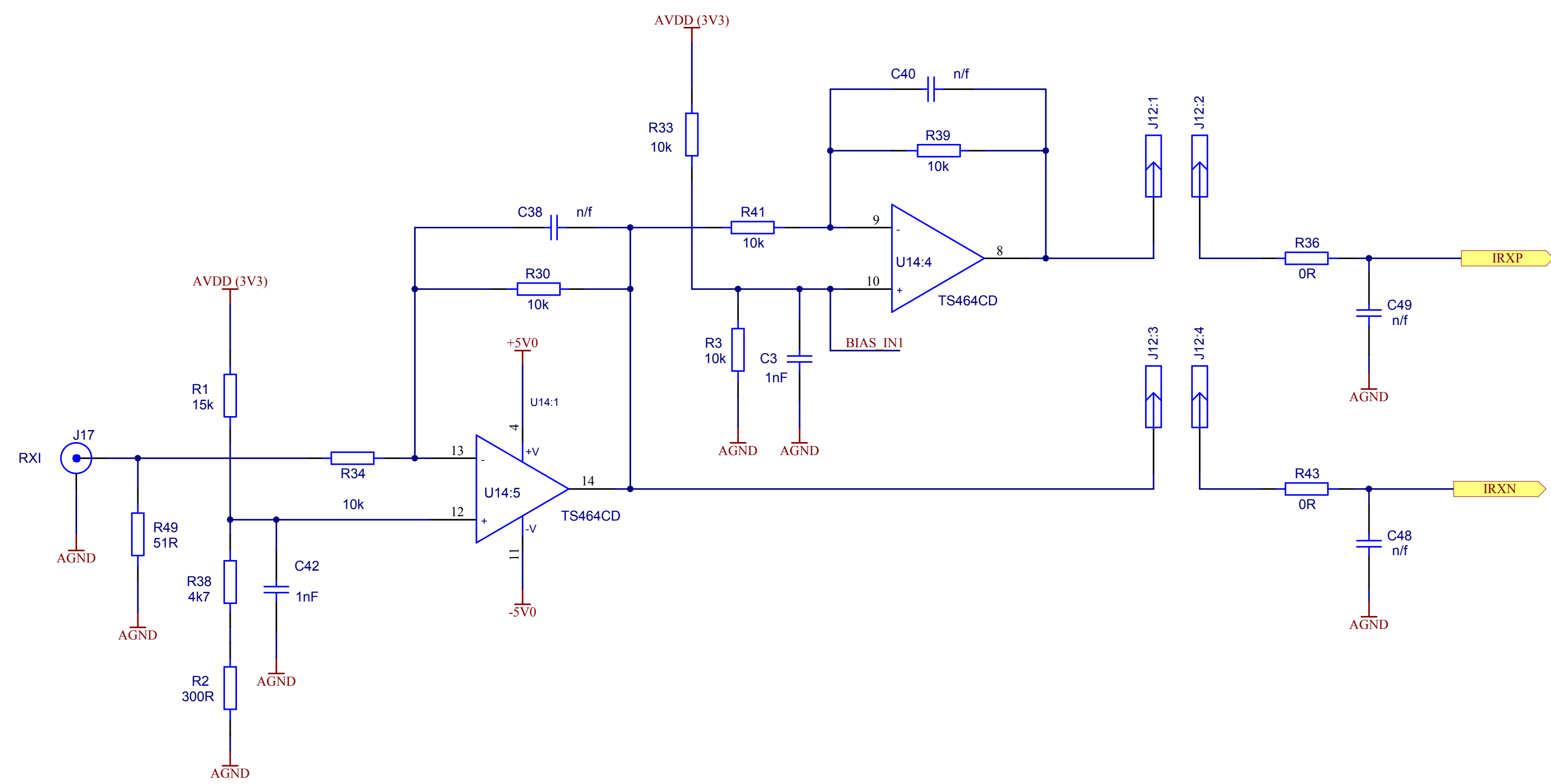


Position components close to CMX983



Power and De-coupling for U4.

Device clocking options



De-coupling for U2, U6, U10, U14 & U19

